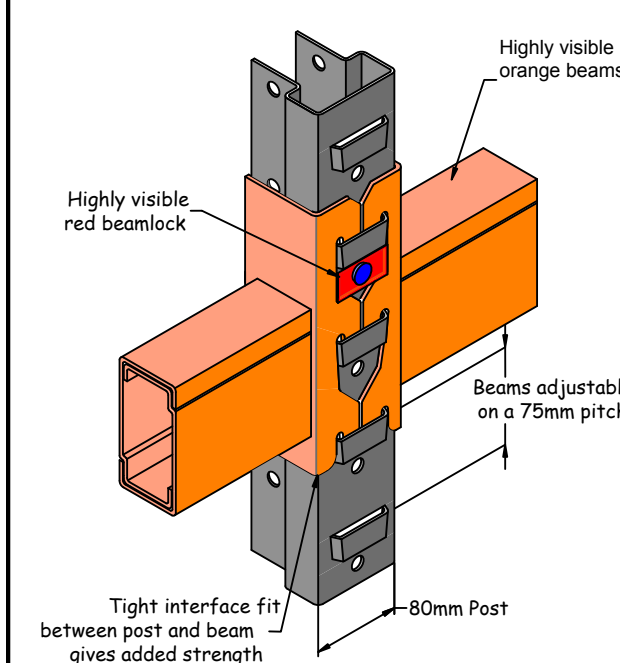


NOTES:
ALL RACK HEIGHT DIMENSIONS ARE FROM THE TOP OF THE BASEPLATE.

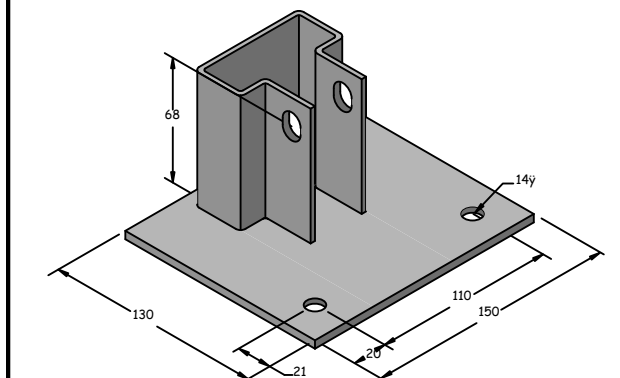
SUBJECT TO SITE SURVEY
THIS DRAWING IS FOR QUOTATION PURPOSES ONLY AND IS NOT BINDING AS TO DETAILS OF DESIGN AND SHOULD NOT BE USED FOR FABRICATION OR INSTALLATION.

Post & Beam Detail

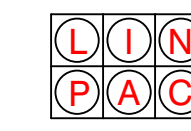
NOTE: Some bays may only require U-section beams.



Baseplate Detail



ISS.	DESCRIPTION	BY	DATE



LINPAC Storage Systems
Garamonde Drive, Wymibush, Milton Keynes MK8 8ND
Tel +44 (0)1908 561222 Fax +44 (0)1908 567455
E-Mail sales.support@linpac-storage.com

The information contained in this drawing is confidential and is not to be disclosed to others without the written authority of LINPAC Storage Systems

TITLE
Proposed Narrow Aisle Pallet Racking Layout For Prologis Higham Rd, Wellingbrough

	BY	DATE
DRAWN	D Sampson	15.05.07
CHECKED		

SCALE **Plan 1:500 Elevations 1:**

DRAWING No.	ISSUE	ORIGINAL SIZE
415060/02	01	A1