

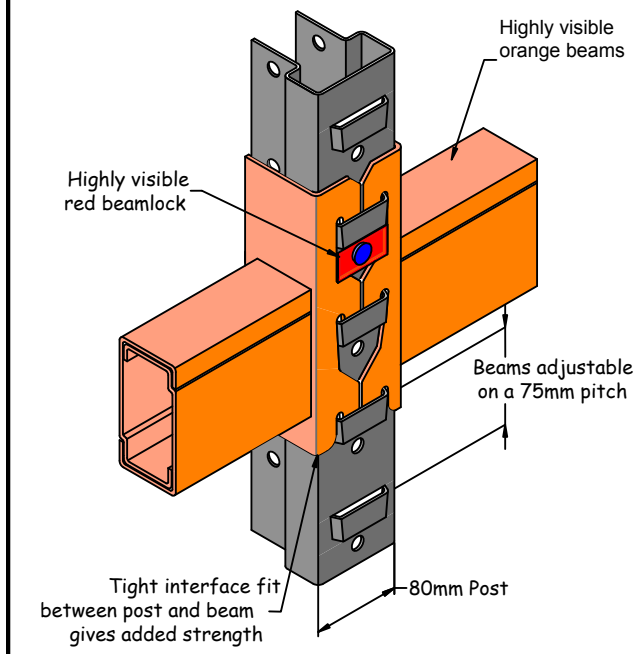
NOTES:  
ALL RACK HEIGHT DIMENSIONS ARE FROM THE TOP OF THE BASEPLATE.

**SUBJECT TO SITE SURVEY**

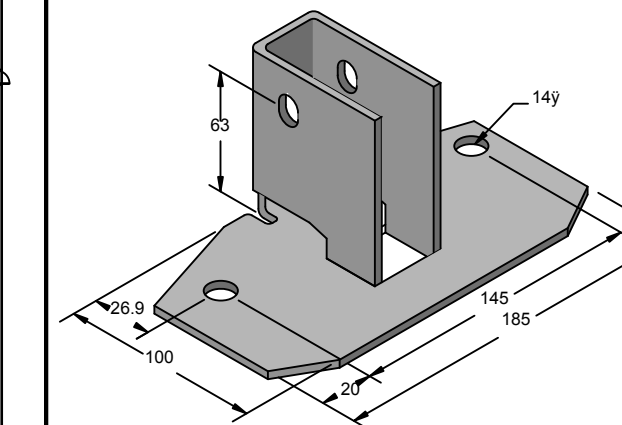
THIS DRAWING IS FOR QUOTATION PURPOSES ONLY AND IS NOT BINDING AS TO DETAILS OF DESIGN AND SHOULD NOT BE USED FOR FABRICATION OR INSTALLATION.

**Post & Beam Detail**

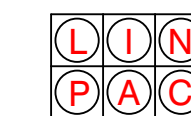
NOTE: Some bays may only require U-section beams.



**Baseplate Detail**



ISS.	DESCRIPTION	BY	DATE
------	-------------	----	------



**LINPAC Storage Systems**  
 Garamonde Drive, Wymibush, Milton Keynes MK8 8ND  
 Tel +44 (0)1908 561222 Fax +44 (0)1908 567455  
 E-Mail sales.support@linpac-storage.com

The information contained in this drawing is confidential and is not to be disclosed to others without the written authority of LINPAC Storage Systems

TITLE  
**Proposed Wide Aisle Pallet Racking  
 Layout For  
 Prologis  
 Higham Rd, Wellingbrough**

	BY	DATE
DRAWN	D Sampson	15.05.07
CHECKED		

SCALE **Plan 1:500 Elevations 1:**

DRAWING No.	ISSUE	ORIGINAL SIZE
415060/01	01	A1